

32-1044 REV 0



The Series MG Digital Force Gauge is an economical instrument for push and pull testing up to 500 lbF. A rugged reversible aluminum housing allows for hand-held use or test stand mounting. Three pushbuttons allow the user to easily select units of measurement, reset zero, and recall tensile and compressive peak loads. The MG is compatible with all Mark-10 force measurement test stands and gripping fixtures.

Specifications

Accuracy:	±0.5% of full scale
Sampling rate:	30 readings/s
Display rate:	2.5 updates/s in normal operation / 30 updates/s in peak mode
Power:	AC or non-rechargeable 9V battery, with Intelligent Power Management System (IPM). IPM warns the user via a "LO BAT" indicator and then will power off the gauge.
Battery life:	30 hours of continuous use
Selectable units of measurement:	lbF, N, kg/g (depending on model)
Load cell deflection:	0.010 in [0.25 mm] at full capacity
Safe overload:	150% of full scale (display shows "----" at 110% and above)
Weight (gauge only):	MG012 - MG200: 0.7 lb [0.3 kg], MG500: 0.87 lb [0.4 kg]
Environmental requirements:	40° F - 100° F [5° C - 45° C], <96% humidity (non-condensating)
Thermal effects:	Zero: 0.03% of full scale/°C, Span: 0.01% of full scale/°C
Housing construction:	Aluminum
Included accessories:	Hook, flat
Warranty	3 years (see individual statement for further details)

Features

Compact design	Portable and flexible in a wide range of applications
Push-button calibration	Simple and quick calibration procedure
Peak memory	For tension and compression
Selectable units of measurement	Measure in lbF, N, or kg/g (depending on model)
Reversible housing	Housing can be reversed for handheld or test stand use

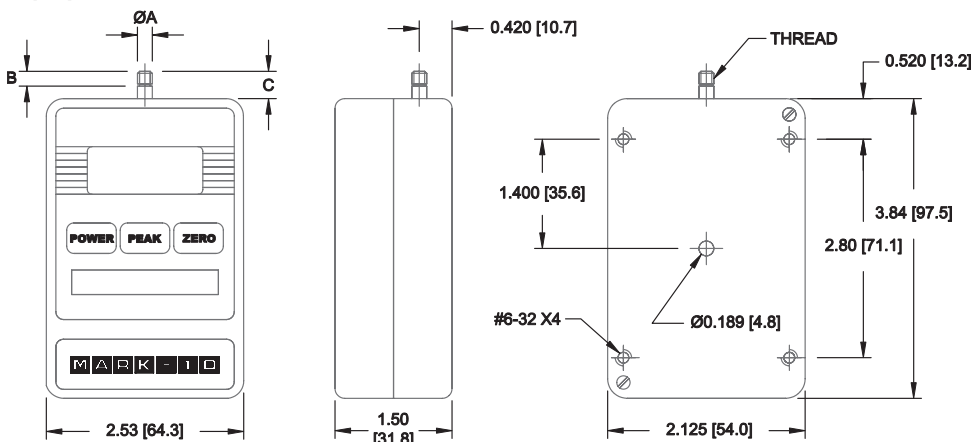
Ordering Information

Model No.	Capacity x Resolution
MG012	0.12 x 0.0001 lbF, 50 x 0.05 gF, 0.5 x 0.0005 N, 110V
MG025	0.25 x 0.0001 lbF, 100.00 x 0.05 gF, 1 x 0.0005 N, 110V
MG05	0.5 x 0.0002 lbF, 250 x 0.1 gF, 2.5 x 0.001 N, 110V
MG2	2 x 0.001 lbF, 1 x 0.0005 kgF, 10 x 0.005 N, 110V
MG5	5 x 0.002 lbF, 2.5 x 0.001 kgF, 25 x 0.01 N, 110V
MG10	10 x 0.005 lbF, 5 x 0.002 kgF, 50 x 0.02 N, 110V
MG20	20 x 0.01 lbF, 10 x 0.005 kgF, 100 x 0.05 N, 110V
MG50	50 x 0.02 lbF, 25 x 0.01 kgF, 250 x 0.1 N, 110V
MG100	100 x 0.05 lbF, 50 x 0.02 kgF, 500 x 0.2 N, 110V
MG200	200 x 0.1 lbF, 100 x 0.05 kgF, 1000 x 0.5 N, 110V
MG500	500 x 0.2 lbF, 250 x 0.1 kgF, 2500 x 1 N, 110V

For 220V operation, add suffix E to model number. Example: MG100E

Dimensions

in [mm]



	MG012 - MG200	MG500
ØA	0.200 [5.8]	0.312 [7.9]
B	0.19 [4.8]	0.44 [11.2]
C	0.35 [8.9]	0.60 [15.2]
Thread	#10-32	5/16-18